

# INTERCEPT™

## CEILING FAN



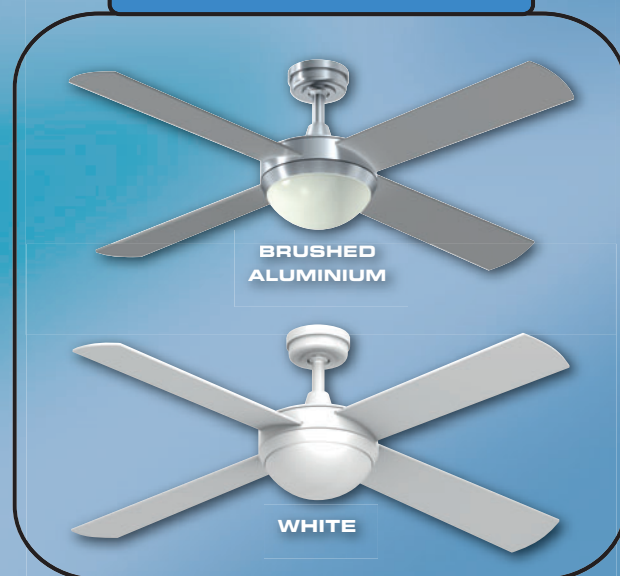
Intercept Fans manufacture top quality Australian-designed products using only the highest grade materials. By successfully combining style, quality and reliability, Intercept Fans deliver a value for money rarely seen in the Australian ceiling fan market. Unlike other lower-priced alternatives, Intercept fans have not compromised on the quality of materials, components, engineering or construction methods. Intercept Fans are attractively priced but are a genuine quality product for homeowners who recognise excellent value, reliability, clean modern design and proven performance.

- 1320MM (52") BLADE SWEEP
- AVAILABLE IN 2 COLOURS: WHITE & BRUSHED ALUMINIUM
- 2 YEAR 'IN-HOME' WARRANTY + 3 YEAR MOTOR PARTS WARRANTY

### INTERCEPT



### INTERCEPT + LIGHT

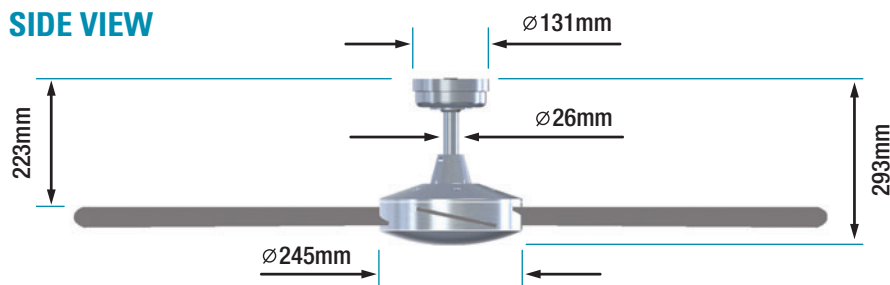


[www.interceptfans.com.au](http://www.interceptfans.com.au)

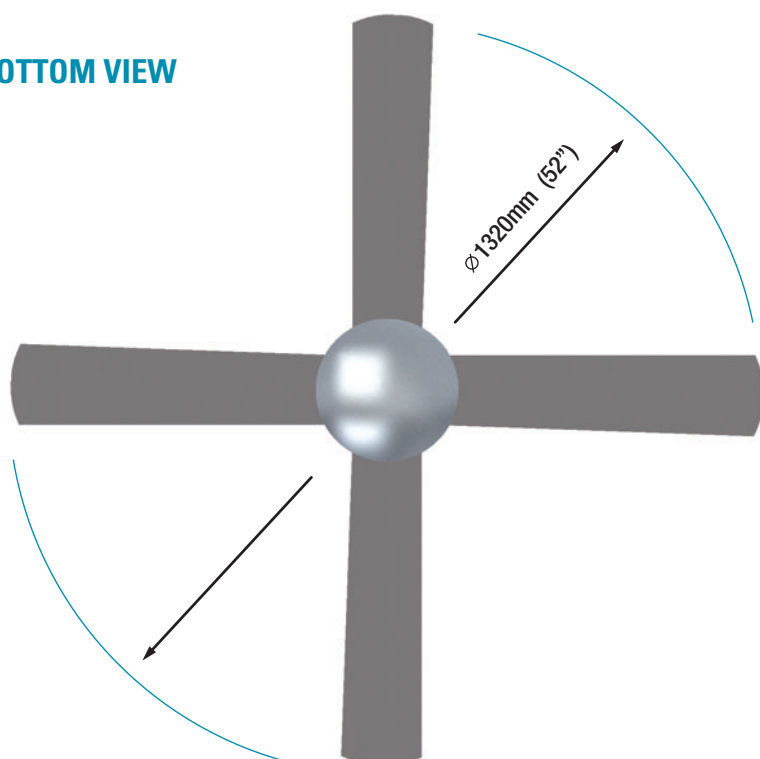
# INTERCEPT™ CEILING FAN

## FEATURES AND DIMENSIONS

### SIDE VIEW



### BOTTOM VIEW



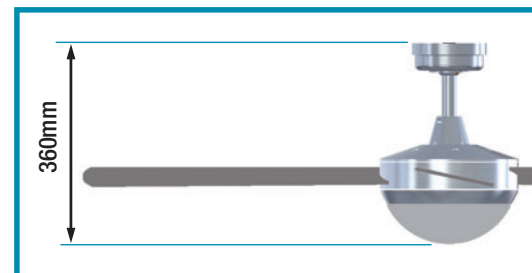
AVAILABLE WITH OR WITHOUT  
INTEGRATED LIGHT FITTING



### INTERCEPT WITH LIGHT

Translucent glass lens available with the following  
lamp fitting:

**TWIN E27 SCREW SOCKETS**  
(BULBS NOT SUPPLIED)



## Product Features:

- Die-Cast Aluminium Body & Canopy
- Reversible Air Flow for Summer or Winter Use
- Remote Adaptable  
(ACCESSORY REMOTE CONTROL SYSTEM AVAILABLE)
- Timber Blades  
(PLYWOOD NOT MDF)
- Suitable for Raked Ceilings up to 28°
- or Fan Manufactured With or Without Light. (Light fitting cannot be added to non-light equipped fans. Check packaging for enclosed type).

- 3 Speed Switch Designed to fit most Australian Wall Plates
- 2 Year 'In-Home' + 3 Year Motor Parts Warranty
- Fan Must be Installed and Serviced by Qualified Persons
- Suitable for use with Building Automation Systems (BMS)\*  
\* DO NOT USE DIMMER-TYPE MODULES
- Suitable for Coastal/Indoor/Outdoor Undercover Installation\*  
\* TIMBER BLADES MAY SWELL IN HUMID ENVIRONMENTS & NEED REPLACEMENT



# INTERCEPT™ CEILING FAN

DISTRIBUTED BY:

SPECIFICATIONS SUBJECT TO CHANGE - REFER TO [www.interceptfans.com.au](http://www.interceptfans.com.au) FOR FULL PRODUCT SPECIFICATIONS